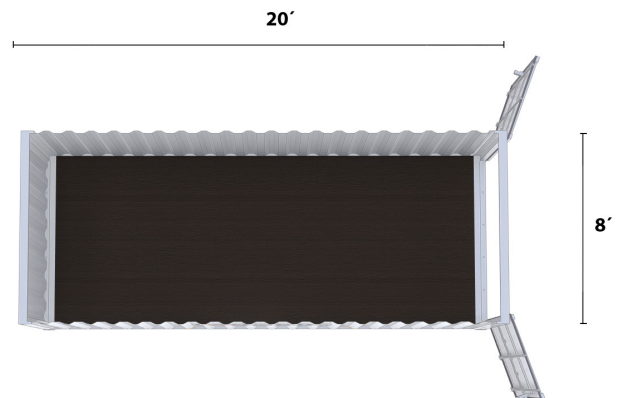


8' x 20' Single Door Container



Dimensions

- Width – 92”
- Depth – 232”
- Height – 94”
- Weight- Varies by unit

Interior

- Wood Flooring
- Turnkey

Exterior

- Lockboxes with Specialized Locks and Keys
- Forklift Pockets and Pick Points on all Four Sides
- Sealed, Wind and Water-Tight

Add a container to any mobile office order!

Need secure storage for your project? It's easy to add a container, furniture, accessories, and security packages to any order so you and your team have everything you need on your job site on day one.



Storage Containers
Extra Security Features
Furniture
Appliances
Filing Cabinets

OSHA / ADA Ramps
Modular Walls
Carpet Tiles
Coffee Bar
And Much More!